

## Breather caps

with female thread and splash guard, technopolymer

### MATERIAL

Polyamide based (PA) technopolymer.  
 - Cap: semi-matte finish, black colour, with "fill" symbol.  
 - Threaded connector with black splash guard.

### PACKING RING

NBR synthetic rubber.

### AIR FILTER

"Tech-foam" polyurethane foam (polyester base), air filtration 40  $\mu$ .

### MAXIMUM CONTINUOUS WORKING TEMPERATURE

100°C.

### FEATURES AND APPLICATIONS

SFF breather caps have female thread and are typically used in rotomoulded tanks. They come complete with a splash guard device that prevents oil loss and are particularly suitable for use in tanks where oil is violently agitated and could be splashed against the breather cap.

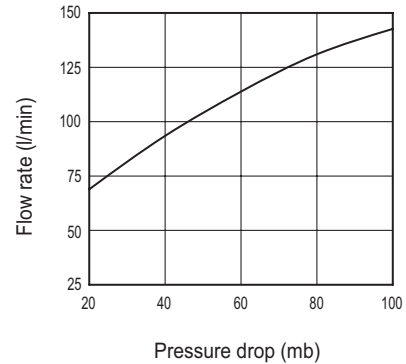
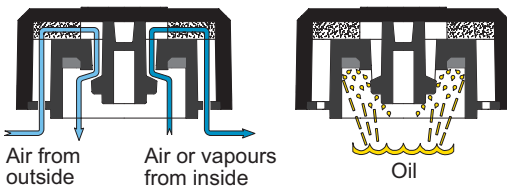
### TECHNICAL DATA

Air flow rates can be determined from the graph calculating the difference between the pressure inside and outside the tank.

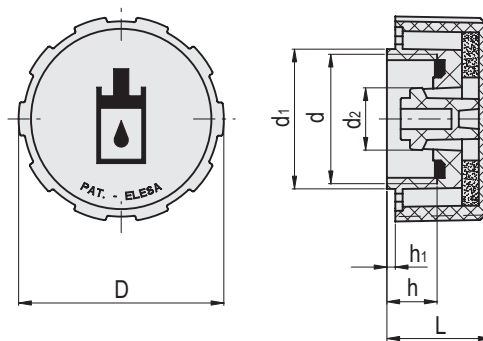


ELESA Original design

Operating layout



Pressure drop (mb)  
 (difference between the pressure inside and outside the reservoir)



Code	Description	d	D	L	d1	d2	h	h1	
53802	SFF.40-3/4+F	G 3/4	42	21.5	30	13	10.5	1.7	19