

## Stainless Steel-Locking plates

### SPECIFICATION

#### TYPES

- Type **A**: Stud, unthreaded (for welding on)
- Type **B**: Stud, with female thread
- Type **C**: Stud, with male thread
- Type **DH**: Fastening flange, horizontal
- Type **E**: Plate (for welding on)

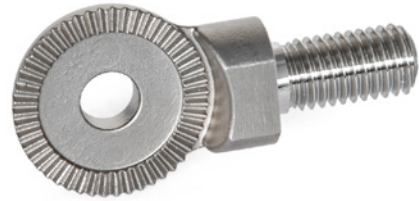
Stainless Steel precision casting **NI**  
 AISI CF-8  
 matte shot-blasted

### INFORMATION

Stainless Steel-Locking plates GN 187.5 can be installed in combination with locking joint sets GN 187.6 (see page ) to create locking joints. This allows gear lever handles and retaining tubes or trays and mounts to be adjusted relative to each other at defined angles with a form-locking connection. The angle orientation of the teeth is adapted to the connecting elements, permitting an axis-parallel or right-angled arrangement.

Held together and centered by locking joint sets, the various types can be combined together arbitrarily with identical the nominal sizes  $d_1$ . Stainless Steel-Thrust springs GN 187.2 (see page 1065) can be placed between the locking heads during mounting, allowing a clean separation upon removal. Additional design possibilities arise from the compatibility of the locking heads with the locking plates GN 187.4 (see page 1062).

When welding on, type E be easily positioned on the opposing part and fastened by means of the mounting holes  $d_8$  (which are aligned with the teeth) using dowel pins or positioning pins.

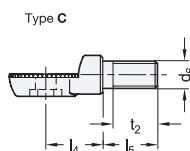
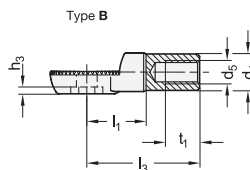
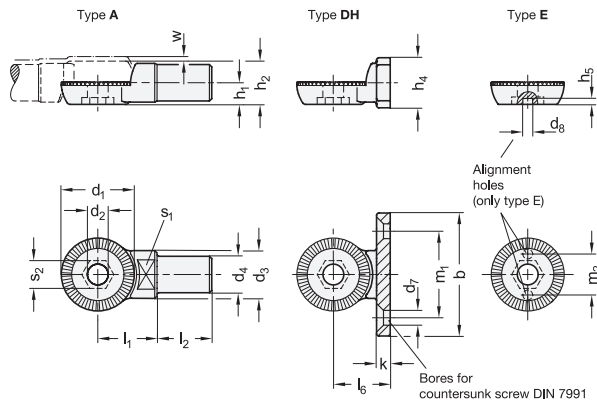


### TECHNICAL INFORMATION

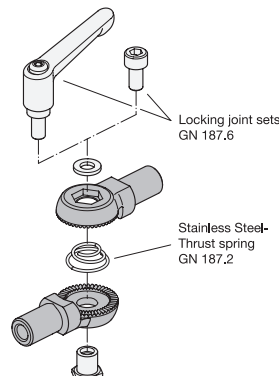
Stainless Steel characteristics (see page A26)

### ACCESSORY

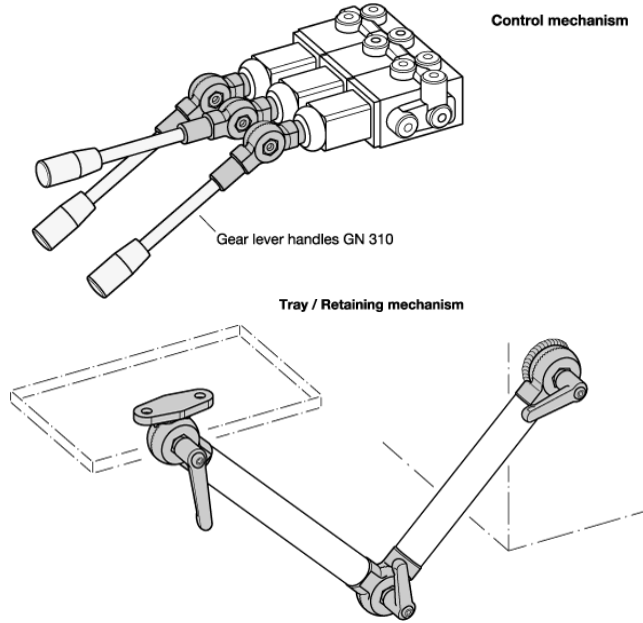
- Locking joint sets GN 187.6 (see page )
- Serrated locking plates GN 187.4 (Steel / Stainless Steel) (see page 1062)
- Stainless Steel-Thrust springs GN 187.2 (see page 1065)



### Assembly instruction



APPLICATION EXAMPLES



GN 187.5

STAINLESS STEEL

Description	d1	z	b	d2	d3	d4	d5	d6	d7	d8	h1	h2	h3	h4	h5	k	l1	l2	l3	l4	l5	l6	m1	m2	s1	s2	t1	t2	w min.	Δ	
GN 187.5-27-48-A-NI	27	48	-	9	18	13	-	-	-	-	8	16	3	-	-	-	21	20	-	-	-	-	-	-	14	12	-	-	0.8	69	
GN 187.5-27-48-B-NI	27	48	-	9	18	13	M8	-	-	-	8	16	3	-	-	-	21	-	40.5	-	-	-	-	-	14	12	12	-	0.8	51	
GN 187.5-27-48-C-NI	27	48	-	9	18	-	-	M10	-	-	8	16	3	-	-	-	-	-	-	21	20	-	-	-	14	12	-	17	0.8	55	
GN 187.5-27-48-DH-NI	27	48	46	9	-	-	-	-	5.3	-	8	16	3	20	-	5	-	-	-	-	-	-	21	32	-	-	12	-	-	0.8	50
GN 187.5-27-48-E-NI	27	48	-	9	-	-	-	-	-	2.5	8	16	3	-	1.5	-	-	-	-	-	-	-	-	-	17	-	12	-	-	0.8	24
GN 187.5-27-60-A-NI	27	60	-	9	18	13	-	-	-	-	8	16	3	-	-	-	21	20	-	-	-	-	-	-	14	12	-	-	0.8	57	
GN 187.5-27-60-B-NI	27	60	-	9	18	13	M8	-	-	-	8	16	3	-	-	-	21	-	40.5	-	-	-	-	-	14	12	12	-	0.8	50	
GN 187.5-27-60-C-NI	27	60	-	9	18	-	-	-	M10	-	-	8	16	3	-	-	-	-	-	21	20	-	-	-	14	12	-	17	0.8	54	
GN 187.5-27-60-DH-NI	27	60	46	9	-	-	-	-	5.3	-	8	16	3	20	-	5	-	-	-	-	-	-	21	32	-	-	12	-	-	0.8	48
GN 187.5-27-60-E-NI	27	60	-	9	-	-	-	-	-	2.5	8	16	3	-	1.5	-	-	-	-	-	-	-	-	-	17	-	12	-	-	0.8	22
GN 187.5-32-48-A-NI	32	48	-	9	21	16	-	-	-	-	9.5	19	3	-	-	-	26	24	-	-	-	-	-	-	17	12	-	-	0.8	103	
GN 187.5-32-48-B-NI	32	48	-	9	21	16	M10	-	-	-	9.5	19	3	-	-	-	26	-	49.5	-	-	-	-	-	17	12	15	-	0.8	92	
GN 187.5-32-48-C-NI	32	48	-	9	21	-	-	-	M12	-	9.5	19	3	-	-	-	-	-	-	25	24	-	-	-	17	12	-	20	0.8	95	
GN 187.5-32-48-DH-NI	32	48	54	9	-	-	-	-	6.5	-	9.5	19	3	22	-	6	-	-	-	-	-	-	25	38	-	-	12	-	-	0.8	87
GN 187.5-32-48-E-NI	32	48	-	9	-	-	-	-	-	3	9.5	19	3	-	2	-	-	-	-	-	-	-	-	-	20	-	12	-	-	0.8	46
GN 187.5-32-60-A-NI	32	60	-	9	21	16	-	-	-	-	9.5	19	3	-	-	-	26	24	-	-	-	-	-	-	17	12	-	-	0.8	106	
GN 187.5-32-60-B-NI	32	60	-	9	21	16	M10	-	-	-	9.5	19	3	-	-	-	26	-	49.5	-	-	-	-	-	17	12	15	-	0.8	93	
GN 187.5-32-60-C-NI	32	60	-	9	21	-	-	-	M12	-	9.5	19	3	-	-	-	-	-	-	25	24	-	-	-	17	12	-	20	0.8	96	
GN 187.5-32-60-DH-NI	32	60	54	9	-	-	-	-	6.5	-	9.5	19	3	22	-	6	-	-	-	-	-	-	25	38	-	-	12	-	-	0.8	87
GN 187.5-32-60-E-NI	32	60	-	9	-	-	-	-	-	3	9.5	19	3	-	2	-	-	-	-	-	-	-	-	-	20	-	12	-	-	0.8	48
GN 187.5-40-48-A-NI	40	48	-	11	27	20	-	-	-	-	12	24	4	-	-	-	31.5	32	-	-	-	-	-	-	22	14	-	-	1	206	
GN 187.5-40-48-B-NI	40	48	-	11	27	20	M12	-	-	-	12	24	4	-	-	-	31.5	-	63	-	-	-	-	-	22	14	18	-	1	186	
GN 187.5-40-48-C-NI	40	48	-	11	27	-	-	-	M16	-	12	24	4	-	-	-	-	-	-	31	32	-	-	-	22	14	-	26	1	192	
GN 187.5-40-48-DH-NI	40	48	70	11	-	-	-	-	8.5	-	12	24	4	30	-	7	-	-	-	-	-	-	30.5	48	-	-	14	-	-	1	174
GN 187.5-40-48-E-NI	40	48	-	11	-	-	-	-	-	4	12	24	4	-	2.5	-	-	-	-	-	-	-	-	-	24	-	14	-	-	1	81
GN 187.5-40-60-A-NI	40	60	-	11	27	20	-	-	-	-	12	24	4	-	-	-	31.5	32	-	-	-	-	-	-	22	14	-	-	1	206	
GN 187.5-40-60-B-NI	40	60	-	11	27	20	M12	-	-	-	12	24	4	-	-	-	31.5	-	63	-	-	-	-	-	22	14	18	-	1	187	
GN 187.5-40-60-C-NI	40	60	-	11	27	-	-	-	M16	-	12	24	4	-	-	-	-	-	-	31	32	-	-	-	22	14	-	26	1	190	
GN 187.5-40-60-DH-NI	40	60	70	11	-	-	-	-	8.5	-	12	24	4	30	-	7	-	-	-	-	-	-	30.5	48	-	-	14	-	-	1	174
GN 187.5-40-60-E-NI	40	60	-	11	-	-	-	-	-	4	12	24	4	-	2.5	-	-	-	-	-	-	-	-	-	24	-	14	-	-	1	82

