

Torque knurled knobs / Torque knurled knob screws

SPECIFICATION

Knob
Aluminium
black, anodized
Torque mechanism
Steel, hardened
Other parts
Steel, blackened
Cover cap
Plastic light grey

INFORMATION

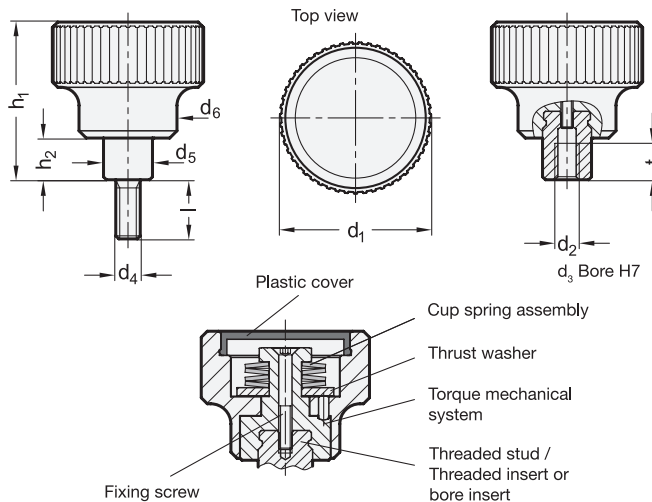
Torque knurled knobs / Torque knurled knob screws GN 3663 are used when the manually applied torque is to be limited.

When turned clockwise, the torque mechanical system of the knurled knob triggers an „over-engagement“ as soon as the specified torque is reached. When turning anti-clockwise, the mechanical system locks such that the torque is not limited. When tightening, this will ensure that the maximum permissible torque is not exceeded. On the other hand, the torque necessary for releasing will always be transferred reliably.

After removing the cover and loosening the countersunk screw, the thread or bore insert can be dismantled.

ON REQUEST

- Other dimensions for inserts with bore, thread and threaded stud inserts analog GN 300 (see page 320)
- Other dimensions with special threaded studs analog GN 306 (see page 340)
- Other torques
- Torques limiting turning anti-clockwise or turning anti-clockwise and clockwise



2

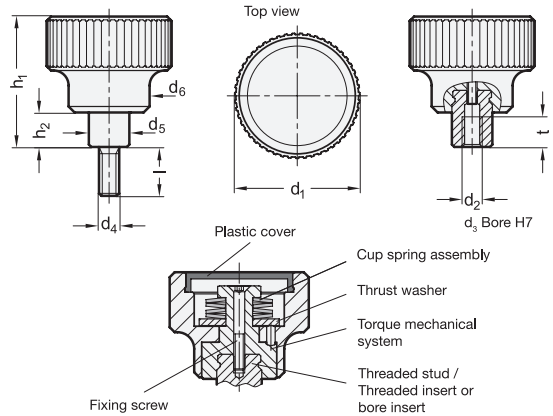
Clamping knobs



Clamping knobs 2

GN 3663-with female thread

Description	d1	d2	d3 H7	d5	d6	h1	h2	t min.	Torque ±10% in Nm	⚖
GN 3663-27-B5-0.7	27	-	B 5	10	19	35	9.5	7	0.7	41
GN 3663-27-B5-1	27	-	B 5	10	19	35	9.5	7	1	40
GN 3663-27-B5-1.5	27	-	B 5	10	19	35	9.5	7	1.5	40
GN 3663-27-B6-0.7	27	-	B 6	10	19	35	9.5	9	0.7	50
GN 3663-27-B6-1	27	-	B 6	10	19	35	9.5	9	1	50
GN 3663-27-B6-1.5	27	-	B 6	10	19	35	9.5	9	1.5	50
GN 3663-34-B5-1	34	-	B 5	10	21	37.5	9.5	7	1	57
GN 3663-34-B5-1.5	34	-	B 5	10	21	37.5	9.5	7	1.5	58
GN 3663-34-B5-2.2	34	-	B 5	10	21	37.5	9.5	7	2.2	59
GN 3663-34-B6-1	34	-	B 6	10	21	37.5	9.5	9	1	56
GN 3663-34-B6-1.5	34	-	B 6	10	21	37.5	9.5	9	1.5	57
GN 3663-34-B6-2.2	34	-	B 6	10	21	37.5	9.5	9	2.2	58
GN 3663-42-B6-2	42	-	B 6	13.5	27	43.5	11.5	11	2	108
GN 3663-42-B6-2.5	42	-	B 6	13.5	27	43.5	11.5	11	2.5	109
GN 3663-42-B6-3.2	42	-	B 6	13.5	27	43.5	11.5	11	3.2	110
GN 3663-42-B8-2	42	-	B 8	13.5	27	43.5	11.5	11	2	106
GN 3663-42-B8-2.5	42	-	B 8	13.5	27	43.5	11.5	11	2.5	107
GN 3663-42-B8-3.2	42	-	B 8	13.5	27	43.5	11.5	11	3.2	108
GN 3663-52-B10-2.5	52	-	B 10	19	32	54	15.5	17	2.5	208
GN 3663-52-B10-3	52	-	B 10	19	32	54	15.5	17	3	209
GN 3663-52-B10-4	52	-	B 10	19	32	54	15.5	17	4	210
GN 3663-52-B12-2.5	52	-	B 12	19	32	54	15.5	17	2.5	209
GN 3663-52-B12-3	52	-	B 12	19	32	54	15.5	17	3	210
GN 3663-52-B12-4	52	-	B 12	19	32	54	15.5	17	4	211
GN 3663-62-B10-3	62	-	B 10	19	33	54	15.5	17	3	241
GN 3663-62-B10-4	62	-	B 10	19	33	54	15.5	17	4	242
GN 3663-62-B10-5.5	62	-	B 10	19	33	54	15.5	17	5.5	243
GN 3663-62-B12-3	62	-	B 12	19	33	54	15.5	17	3	235
GN 3663-62-B12-4	62	-	B 12	19	33	54	15.5	17	4	236
GN 3663-62-B12-5.5	62	-	B 12	19	33	54	15.5	17	5.5	237
GN 3663-27-M3-0.7	27	M 3	-	10	19	35	9.5	7	0.7	150
GN 3663-27-M3-1	27	M 3	-	10	19	35	9.5	7	1	160
GN 3663-27-M3-1.5	27	M 3	-	10	19	35	9.5	7	1.5	200
GN 3663-27-M4-0.7	27	M 4	-	10	19	35	9.5	9	0.7	40
GN 3663-27-M4-1	27	M 4	-	10	19	35	9.5	9	1	41
GN 3663-27-M4-1.5	27	M 4	-	10	19	35	9.5	9	1.5	42
GN 3663-27-M5-0.7	27	M 5	-	10	19	35	9.5	9	0.7	39
GN 3663-27-M5-1	27	M 5	-	10	19	35	9.5	9	1	40
GN 3663-27-M5-1.5	27	M 5	-	10	19	35	9.5	9	1.5	41
GN 3663-27-M6-0.7	27	M 6	-	10	19	35	9.5	9	0.7	40
GN 3663-27-M6-1	27	M 6	-	10	19	35	9.5	9	1	41
GN 3663-27-M6-1.5	27	M 6	-	10	19	35	9.5	9	1.5	42
GN 3663-34-M3-1	34	M 3	-	10	21	37.5	9.5	7	1	58
GN 3663-34-M3-1.5	34	M 3	-	10	21	37.5	9.5	7	1.5	59
GN 3663-34-M3-2.2	34	M 3	-	10	21	37.5	9.5	7	2.2	59
GN 3663-34-M4-1	34	M 4	-	10	21	37.5	9.5	9	1	58
GN 3663-34-M4-1.5	34	M 4	-	10	21	37.5	9.5	9	1.5	59
GN 3663-34-M4-2.2	34	M 4	-	10	21	37.5	9.5	9	2.2	60
GN 3663-34-M5-1	34	M 5	-	10	21	37.5	9.5	9	1	57
GN 3663-34-M5-1.5	34	M 5	-	10	21	37.5	9.5	9	1.5	58
GN 3663-34-M5-2.2	34	M 5	-	10	21	37.5	9.5	9	2.2	59



GN 3663-with female thread

Description	d1	d2	d3 H7	d5	d6	h1	h2	t min.	Torque ±10% in Nm	⚖
GN 3663-34-M6-1	34	M 6	-	10	21	37.5	9.5	9	1	58
GN 3663-34-M6-1.5	34	M 6	-	10	21	37.5	9.5	9	1.5	59
GN 3663-34-M6-2.2	34	M 6	-	10	21	37.5	9.5	9	2.2	60
GN 3663-42-M6-2	42	M 6	-	13.5	27	43.5	11.5	11	2	109
GN 3663-42-M6-2.5	42	M 6	-	13.5	27	43.5	11.5	11	2.5	110
GN 3663-42-M6-3.2	42	M 6	-	13.5	27	43.5	11.5	11	3.2	111
GN 3663-42-M8-2	42	M 8	-	13.5	27	43.5	11.5	11	2	107
GN 3663-42-M8-2.5	42	M 8	-	13.5	27	43.5	11.5	11	2.5	108
GN 3663-42-M8-3.2	42	M 8	-	13.5	27	43.5	11.5	11	3.2	109
GN 3663-52-M10-2.5	52	M 10	-	19	32	54	15.5	17	2.5	208
GN 3663-52-M10-3	52	M 10	-	19	32	54	15.5	17	3	209
GN 3663-52-M10-4	52	M 10	-	19	32	54	15.5	17	4	210
GN 3663-52-M12-2.5	52	M 12	-	19	32	54	15.5	17	2.5	209
GN 3663-52-M12-3	52	M 12	-	19	32	54	15.5	17	3	210
GN 3663-52-M12-4	52	M 12	-	19	32	54	15.5	17	4	211
GN 3663-62-M10-3	62	M 10	-	19	33	54	15.5	17	3	240
GN 3663-62-M10-4	62	M 10	-	19	33	54	15.5	17	4	241
GN 3663-62-M10-5.5	62	M 10	-	19	33	54	15.5	17	5.5	242
GN 3663-62-M12-3	62	M 12	-	19	33	54	15.5	17	3	235
GN 3663-62-M12-4	62	M 12	-	19	33	54	15.5	17	4	236
GN 3663-62-M12-5.5	62	M 12	-	19	33	54	15.5	17	5.5	237



Clamping knobs 2

GN 3663-with threaded bolt

Description	d1	d4	l	d5	d6	h1	h2	Torque ±10% in Nm	⚖️
GN 3663-27-M4-12-0.7	27	M4	12	10	19	35	9.5	0.7	43
GN 3663-27-M4-12-1	27	M4	12	10	19	35	9.5	1	44
GN 3663-27-M4-12-1.5	27	M4	12	10	19	35	9.5	1.5	45
GN 3663-27-M4-16-0.7	27	M4	16	10	19	35	9.5	0.7	44
GN 3663-27-M4-16-1	27	M4	16	10	19	35	9.5	1	45
GN 3663-27-M4-16-1.5	27	M4	16	10	19	35	9.5	1.5	46
GN 3663-27-M4-20-0.7	27	M4	20	10	19	35	9.5	0.7	45
GN 3663-27-M4-20-1	27	M4	20	10	19	35	9.5	1	46
GN 3663-27-M4-20-1.5	27	M4	20	10	19	35	9.5	1.5	47
GN 3663-27-M4-25-0.7	27	M4	25	10	19	35	9.5	0.7	46
GN 3663-27-M4-25-1	27	M4	25	10	19	35	9.5	1	47
GN 3663-27-M4-25-1.5	27	M4	25	10	19	35	9.5	1.5	48
GN 3663-27-M4-32-0.7	27	M4	32	10	19	35	9.5	0.7	47
GN 3663-27-M4-32-1	27	M4	32	10	19	35	9.5	1	48
GN 3663-27-M4-32-1.5	27	M4	32	10	19	35	9.5	1.5	49
GN 3663-27-M5-12-0.7	27	M5	12	10	19	35	9.5	0.7	44
GN 3663-27-M5-12-1	27	M5	12	10	19	35	9.5	1	45
GN 3663-27-M5-12-1.5	27	M5	12	10	19	35	9.5	1.5	46
GN 3663-27-M5-16-0.7	27	M5	16	10	19	35	9.5	0.7	45
GN 3663-27-M5-16-1	27	M5	16	10	19	35	9.5	1	46
GN 3663-27-M5-16-1.5	27	M5	16	10	19	35	9.5	1.5	47
GN 3663-27-M5-20-0.7	27	M5	20	10	19	35	9.5	0.7	46
GN 3663-27-M5-20-1	27	M5	20	10	19	35	9.5	1	47
GN 3663-27-M5-20-1.5	27	M5	20	10	19	35	9.5	1.5	48
GN 3663-27-M5-25-0.7	27	M5	25	10	19	35	9.5	0.7	47
GN 3663-27-M5-25-1	27	M5	25	10	19	35	9.5	1	48
GN 3663-27-M5-25-1.5	27	M5	25	10	19	35	9.5	1.5	49
GN 3663-27-M5-32-0.7	27	M5	32	10	19	35	9.5	0.7	48
GN 3663-27-M5-32-1	27	M5	32	10	19	35	9.5	1	49
GN 3663-27-M5-32-1.5	27	M5	32	10	19	35	9.5	1.5	50
GN 3663-34-M5-12-1	34	M5	12	10	21	37.5	9.5	1	62
GN 3663-34-M5-12-1.5	34	M5	12	10	21	37.5	9.5	1.5	63
GN 3663-34-M5-12-2.2	34	M5	12	10	21	37.5	9.5	2.2	64
GN 3663-34-M5-16-1	34	M5	16	10	21	37.5	9.5	1	63
GN 3663-34-M5-16-1.5	34	M5	16	10	21	37.5	9.5	1.5	64
GN 3663-34-M5-16-2.2	34	M5	16	10	21	37.5	9.5	2.2	65
GN 3663-34-M5-20-1	34	M5	20	10	21	37.5	9.5	1	64
GN 3663-34-M5-20-1.5	34	M5	20	10	21	37.5	9.5	1.5	65
GN 3663-34-M5-20-2.2	34	M5	20	10	21	37.5	9.5	2.2	66
GN 3663-34-M5-25-1	34	M5	25	10	21	37.5	9.5	1	65
GN 3663-34-M5-25-1.5	34	M5	25	10	21	37.5	9.5	1.5	66
GN 3663-34-M5-25-2.2	34	M5	25	10	21	37.5	9.5	2.2	67
GN 3663-34-M5-32-1	34	M5	32	10	21	37.5	9.5	1	66
GN 3663-34-M5-32-1.5	34	M5	32	10	21	37.5	9.5	1.5	67
GN 3663-34-M5-32-2.2	34	M5	32	10	21	37.5	9.5	2.2	68
GN 3663-34-M6-12-1	34	M6	12	10	21	37.5	9.5	1	63
GN 3663-34-M6-12-1.5	34	M6	12	10	21	37.5	9.5	1.5	64
GN 3663-34-M6-12-2.2	34	M6	12	10	21	37.5	9.5	2.2	65
GN 3663-34-M6-16-1	34	M6	16	10	21	37.5	9.5	1	64
GN 3663-34-M6-16-1.5	34	M6	16	10	21	37.5	9.5	1.5	65
GN 3663-34-M6-16-2.2	34	M6	16	10	21	37.5	9.5	2.2	66


GN 3663-with threaded bolt

Description	d1	d4	l	d5	d6	h1	h2	Torque ±10% in Nm	⚖️
GN 3663-34-M6-20-1	34	M6	20	10	21	37.5	9.5	1	65
GN 3663-34-M6-20-1.5	34	M6	20	10	21	37.5	9.5	1.5	66
GN 3663-34-M6-20-2.2	34	M6	20	10	21	37.5	9.5	2.2	67
GN 3663-34-M6-25-1	34	M6	25	10	21	37.5	9.5	1	66
GN 3663-34-M6-25-1.5	34	M6	25	10	21	37.5	9.5	1.5	67
GN 3663-34-M6-25-2.2	34	M6	25	10	21	37.5	9.5	2.2	68
GN 3663-34-M6-32-1	34	M6	32	10	21	37.5	9.5	1	67
GN 3663-34-M6-32-1.5	34	M6	32	10	21	37.5	9.5	1.5	68
GN 3663-34-M6-32-2.2	34	M6	32	10	21	37.5	9.5	2.2	69
GN 3663-42-M8-16-2	42	M8	16	13.5	27	43.5	11.5	2	93
GN 3663-42-M8-16-2.5	42	M8	16	13.5	27	43.5	11.5	2.5	94
GN 3663-42-M8-16-3.2	42	M8	16	13.5	27	43.5	11.5	3.2	95
GN 3663-42-M8-20-2	42	M8	20	13.5	27	43.5	11.5	2	94
GN 3663-42-M8-20-2.5	42	M8	20	13.5	27	43.5	11.5	2.5	95
GN 3663-42-M8-20-3.2	42	M8	20	13.5	27	43.5	11.5	3.2	96
GN 3663-42-M8-25-2	42	M8	25	13.5	27	43.5	11.5	2	95
GN 3663-42-M8-25-2.5	42	M8	25	13.5	27	43.5	11.5	2.5	96
GN 3663-42-M8-25-3.2	42	M8	25	13.5	27	43.5	11.5	3.2	97
GN 3663-42-M8-32-2	42	M8	32	13.5	27	43.5	11.5	2	96
GN 3663-42-M8-32-2.5	42	M8	32	13.5	27	43.5	11.5	2.5	97
GN 3663-42-M8-32-3.2	42	M8	32	13.5	27	43.5	11.5	3.2	98
GN 3663-42-M8-40-2	42	M8	40	13.5	27	43.5	11.5	2	100
GN 3663-42-M8-40-2.5	42	M8	40	13.5	27	43.5	11.5	2.5	101
GN 3663-42-M8-40-3.2	42	M8	40	13.5	27	43.5	11.5	3.2	102
GN 3663-42-M10-20-2	42	M10	20	13.5	27	43.5	11.5	2	101
GN 3663-42-M10-20-2.5	42	M10	20	13.5	27	43.5	11.5	2.5	102
GN 3663-42-M10-20-3.2	42	M10	20	13.5	27	43.5	11.5	3.2	103
GN 3663-42-M10-25-2	42	M10	25	13.5	27	43.5	11.5	2	102
GN 3663-42-M10-25-2.5	42	M10	25	13.5	27	43.5	11.5	2.5	103
GN 3663-42-M10-25-3.2	42	M10	25	13.5	27	43.5	11.5	3.2	104
GN 3663-42-M10-32-2	42	M10	32	13.5	27	43.5	11.5	2	126
GN 3663-42-M10-32-2.5	42	M10	32	13.5	27	43.5	11.5	2.5	127
GN 3663-42-M10-32-3.2	42	M10	32	13.5	27	43.5	11.5	3.2	128
GN 3663-42-M10-40-2	42	M10	40	13.5	27	43.5	11.5	2	128
GN 3663-42-M10-40-2.5	42	M10	40	13.5	27	43.5	11.5	2.5	129
GN 3663-42-M10-40-3.2	42	M10	40	13.5	27	43.5	11.5	3.2	130
GN 3663-42-M10-50-2	42	M10	50	13.5	27	43.5	11.5	2	133
GN 3663-42-M10-50-2.5	42	M10	50	13.5	27	43.5	11.5	2.5	134
GN 3663-42-M10-50-3.2	42	M10	50	13.5	27	43.5	11.5	3.2	135
GN 3663-52-M10-25-2.5	52	M10	25	19	32	54	15.5	2.5	150
GN 3663-52-M10-25-3	52	M10	25	19	32	54	15.5	3	160
GN 3663-52-M10-25-4	52	M10	25	19	32	54	15.5	4	165
GN 3663-52-M10-32-2.5	52	M10	32	19	32	54	15.5	2.5	170
GN 3663-52-M10-32-3	52	M10	32	19	32	54	15.5	3	175
GN 3663-52-M10-32-4	52	M10	32	19	32	54	15.5	4	180
GN 3663-52-M10-40-2.5	52	M10	40	19	32	54	15.5	2.5	170
GN 3663-52-M10-40-3	52	M10	40	19	32	54	15.5	3	175
GN 3663-52-M10-40-4	52	M10	40	19	32	54	15.5	4	180
GN 3663-52-M10-50-2.5	52	M10	50	19	32	54	15.5	2.5	180
GN 3663-52-M10-50-3	52	M10	50	19	32	54	15.5	3	185
GN 3663-52-M10-50-4	52	M10	50	19	32	54	15.5	4	190



Clamping knobs 2

GN 3663-with threaded bolt

Description	d1	d4	l	d5	d6	h1	h2	Torque ±10% in Nm	
GN 3663-52-M10-63-2,5	52	M10	63	19	32	54	15.5	2.5	255
GN 3663-52-M10-63-3	52	M10	63	19	32	54	15.5	3	256
GN 3663-52-M10-63-4	52	M10	63	19	32	54	15.5	4	257
GN 3663-52-M12-25-2.5	52	M12	25	19	32	54	15.5	2.5	243
GN 3663-52-M12-25-3	52	M12	25	19	32	54	15.5	3	244
GN 3663-52-M12-25-4	52	M12	25	19	32	54	15.5	4	245
GN 3663-52-M12-32-2,5	52	M12	32	19	32	54	15.5	2.5	247
GN 3663-52-M12-32-3	52	M12	32	19	32	54	15.5	3	248
GN 3663-52-M12-32-4	52	M12	32	19	32	54	15.5	4	249
GN 3663-52-M12-40-2,5	52	M12	40	19	32	54	15.5	2.5	252
GN 3663-52-M12-40-3	52	M12	40	19	32	54	15.5	3	254
GN 3663-52-M12-40-4	52	M12	40	19	32	54	15.5	4	256
GN 3663-52-M12-50-2,5	52	M12	50	19	32	54	15.5	2.5	254
GN 3663-52-M12-50-3	52	M12	50	19	32	54	15.5	3	255
GN 3663-52-M12-50-4	52	M12	50	19	32	54	15.5	4	257
GN 3663-52-M12-63-2,5	52	M12	63	19	32	54	15.5	2.5	260
GN 3663-52-M12-63-3	52	M12	63	19	32	54	15.5	3	262
GN 3663-52-M12-63-4	52	M12	63	19	32	54	15.5	4	264
GN 3663-62-M10-25-3	62	M10	25	19	33	54	15.5	3	262
GN 3663-62-M10-25-4	62	M10	25	19	33	54	15.5	4	263
GN 3663-62-M10-25-5,5	62	M10	25	19	33	54	15.5	5.5	264
GN 3663-62-M10-32-3	62	M10	32	19	33	54	15.5	3	266
GN 3663-62-M10-32-4	62	M10	32	19	33	54	15.5	4	267
GN 3663-62-M10-32-5,5	62	M10	32	19	33	54	15.5	5.5	268
GN 3663-62-M10-40-3	62	M10	40	19	33	54	15.5	3	270
GN 3663-62-M10-40-4	62	M10	40	19	33	54	15.5	4	271
GN 3663-62-M10-40-5,5	62	M10	40	19	33	54	15.5	5.5	272
GN 3663-62-M10-50-3	62	M10	50	19	33	54	15.5	3	276
GN 3663-62-M10-50-4	62	M10	50	19	33	54	15.5	4	277
GN 3663-62-M10-50-5,5	62	M10	50	19	33	54	15.5	5.5	278
GN 3663-62-M10-63-3	62	M10	63	19	33	54	15.5	3	281
GN 3663-62-M10-63-4	62	M10	63	19	33	54	15.5	4	282
GN 3663-62-M10-63-5,5	62	M10	63	19	33	54	15.5	5.5	283
GN 3663-62-M12-25-3	62	M12	25	19	33	54	15.5	3	269
GN 3663-62-M12-25-4	62	M12	25	19	33	54	15.5	4	270
GN 3663-62-M12-25-5,5	62	M12	25	19	33	54	15.5	5.5	272
GN 3663-62-M12-32-3	62	M12	32	19	33	54	15.5	3	273
GN 3663-62-M12-32-4	62	M12	32	19	33	54	15.5	4	274
GN 3663-62-M12-32-5,5	62	M12	32	19	33	54	15.5	5.5	275
GN 3663-62-M12-40-3	62	M12	40	19	33	54	15.5	3	278
GN 3663-62-M12-40-4	62	M12	40	19	33	54	15.5	4	279
GN 3663-62-M12-40-5,5	62	M12	40	19	33	54	15.5	5.5	280
GN 3663-62-M12-50-3	62	M12	50	19	33	54	15.5	3	286
GN 3663-62-M12-50-4	62	M12	50	19	33	54	15.5	4	287
GN 3663-62-M12-50-5,5	62	M12	50	19	33	54	15.5	5.5	288
GN 3663-62-M12-63-3	62	M12	63	19	33	54	15.5	3	295
GN 3663-62-M12-63-4	62	M12	63	19	33	54	15.5	4	296
GN 3663-62-M12-63-5,5	62	M12	63	19	33	54	15.5	5.5	297