



GN 115-VH8

Stainless Steel-Hygienic latches

Operation with socket key



Specification

Type

- Type **VH8**: Operation with square spindle
Lock housing / external square
Stainless Steel AISI 316 Ti (A4) **NI**

Locking
Stainless Steel AISI 304 (A2)

Hexagon screw
Stainless Steel AISI 304 (A2)

Fixing nut
Stainless Steel AISI 304 (A2)

Information

Stainless Steel-Hygienic latches GN 115 meet the requirements for a hygienic design according to DIN 1672-2 and DIN 14159.
Latches with different cranks cover a latch distance A from 6 to 28 mm.
Latches GN 115 are supplied with loosely enclosed latch.

Technical Information

- [List of latch types](#)
- [Stainless Steel characteristics](#)

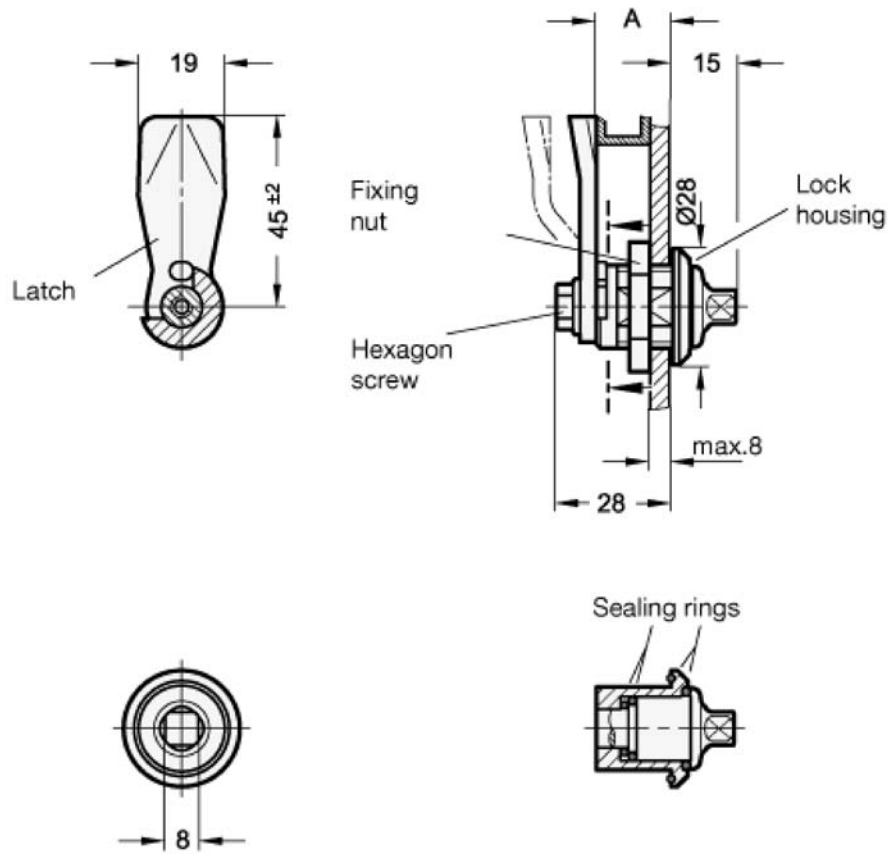
Accessory

- Socket keys [GN 119.2](#)

Construction and Assembly Instructions

For installation, set a bore diameter in the door as shown in the outline drawing.
Once assembled, the latch is pushed through the bore diameter from the front. The hexagon nut can then be pushed over the latch from the back and bolted in place.
The **installation bore diameter** in the door leaf is usually generated by punching or laser machining in series production.
For small series and steel sheets below 2 mm thickness, the sheet metal punches [GN 123](#) are the tool of choice.
The installation bore diameter can also be set by drilling / milling as shown in the outline drawings.





GN 115-VH8

| Description | Latch distance A | Weight |
|------------------|------------------|--------|
| GN 115-VH8-6-NI | 6 | 103 |
| GN 115-VH8-10-NI | 10 | 104 |
| GN 115-VH8-14-NI | 14 | 104 |
| GN 115-VH8-18-NI | 18 | 104 |
| GN 115-VH8-20-NI | 20 | 104 |
| GN 115-VH8-22-NI | 22 | 104 |
| GN 115-VH8-24-NI | 24 | 105 |
| GN 115-VH8-26-NI | 26 | 106 |
| GN 115-VH8-28-NI | 28 | 107 |
| GN 115-VH8-30-NI | 30 | 110 |
| GN 115-VH8-34-NI | 34 | 110 |
| GN 115-VH8-38-NI | 38 | 110 |
| GN 115-VH8-40-NI | 40 | 140 |
| GN 115-VH8-50-NI | 50 | 150 |