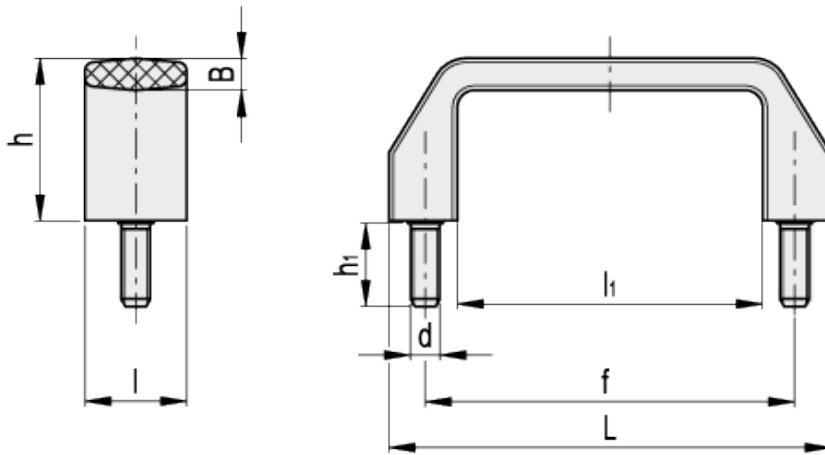


M.543-p

Handles



ELESA Original design



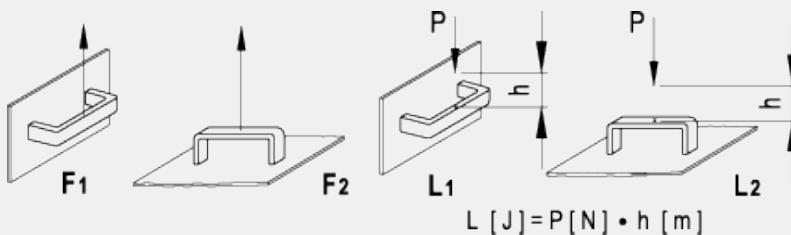
technical informations

Standard execution

Glass-fibre reinforced polyamide based (PA) technopolymer, black or orange colour, matte finish. Zinc-plated steel threaded stud, chamfered flat end according to UNI 947 : ISO 4753 (see [Technical Data](#)).

Technical data

Tensile stress and impact strength: F1, F2, L1 and L2 values reported in the table are the result of breaking tests carried out with the appropriate dynamometric equipment under the test conditions shown in the figure with ambient temperature.



C9
RAL9005

C2
RAL2004

Standard Elements		Main dimensions								F ₁	F ₂	L ₁	L ₂	Weight
Code	Description	L	f	d _{6g}	h	h ₁	B	I	l ₁	[N]	[N]	[J]	[J]	g
37293	M.543/140 p-M6x16-C9	134	117±0.5	M6	38	16	7.5	25	102	2200	1400	11	9	56
37294	M.543/140 p-M6x16-C2	134	117±0.5	M6	38	16	7.5	25	102	2200	1400	11	9	56
37387	M.543/200 p-M8x16-C9	200	179±1	M8	51	16	9	28	160	3400	2600	24	30	109
37388	M.543/200 p-M8x16-C2	200	179±1	M8	51	16	9	28	160	3400	2600	24	30	109



ELESA and GANTER models all rights reserved in accordance with the law. Always mention the source when reproducing our drawings.

STANDARD MACHINE ELEMENTS WORLDWIDE