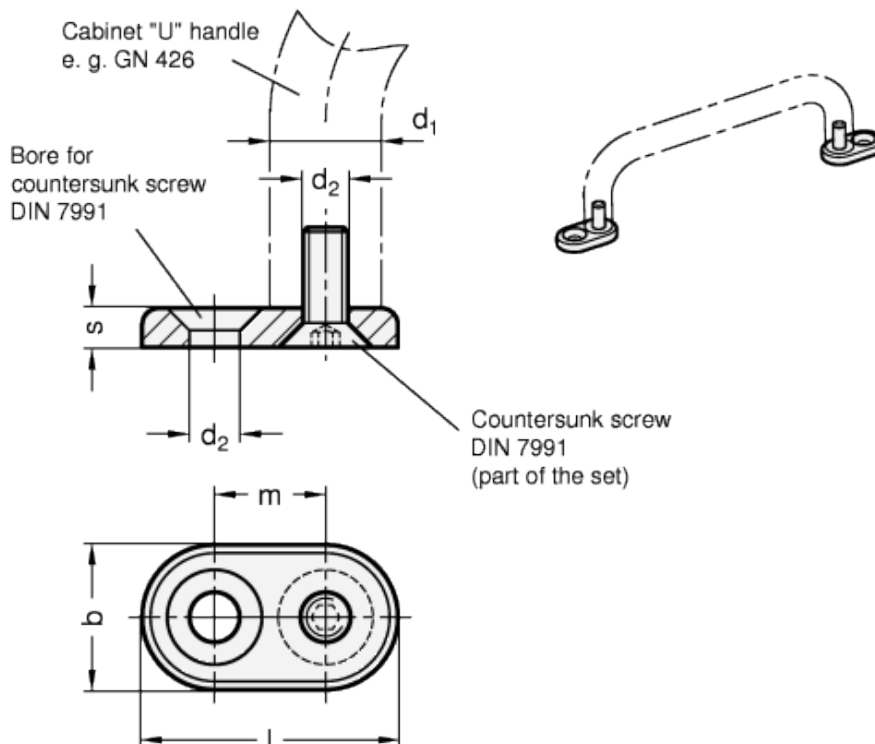


GN 181

Fastening sets



technical informations

Specification

Zinc die casting ZD

plastic coated

black, RAL 9005 textured finish SW

silver, RAL 9006 textured finish SR

Countersunk screws DIN 7991

Steel, zinc plated, blue passivated

Information

Fastening sets GN 181 make it possible to mount different cabinet "U" handles and tubular handles with internal thread from the operator's side.

The mounting position of the fastening plates is freely customizable, allowing a sideways offset or mounting with different drillhole spacings.

A fastening set consists of 2 fastening plates and 2 countersunk screws.

Standard Elements	Main dimensions											Weight
Description	d ₁	d ₂	b	d ₃ +0.2/+0.5	l	m	s	t	埋头螺钉 DIN 7991	适用的U形机柜手柄	g	
GN 181-ZD-8-M4-SW	8	M4	10	4	20	10	3	7	M4x10	GN 425-8-...	-	
GN 181-ZD-8-M4-SR	8	M4	10	4	20	10	3	7	M4x10	GN 425-8-...	-	
GN 181-ZD-10-M5-SW	10	M5	12	5	24	12	4	8	M5x12	GN 425-10-... / GN 425.1-10-...	-	
GN 181-ZD-10-M5-SR	10	M5	12	5	24	12	4	8	M5x12	GN 425-10-... / GN 425.1-10-...	-	
GN 181-ZD-12-M6-SW	12	M6	14	6	26	12	4	10	M6x14	GN 425-12-... / GN 425.1-12-...	-	
GN 181-ZD-12-M6-SR	12	M6	14	6	26	12	4	10	M6x14	GN 425-12-... / GN 425.1-12-...	-	
GN 181-ZD-16-M6-SW	16	M6	18	6	34	16	4.5	9.5	M6x14	GN 425-16-...	-	
GN 181-ZD-16-M6-SR	16	M6	18	6	34	16	4.5	9.5	M6x14	GN 425-16-...	-	
GN 181-ZD-20-M6-SW	20	M6	22	6	40	18	4.5	9.5	M6x14	GN 565-20-... / GN 565.5-20-...	-	
GN 181-ZD-20-M6-SR	20	M6	22	6	40	18	4.5	9.5	M6x14	GN 565-20-... / GN 565.5-20-...	-	
GN 181-ZD-20-M8-SW	20	M8	22	8	42	20	6	12	M8x18	GN 426-20-... / GN 426.1-20-...	-	
GN 181-ZD-20-M8-SR	20	M8	22	8	42	20	6	12	M8x18	GN 426-20-... / GN 426.1-20-...	-	
GN 181-ZD-26-M8-SW	26	M8	28	8	52	24	6	12	M8x18	GN 565-26-...	-	
GN 181-ZD-26-M8-SR	26	M8	28	8	52	24	6	12	M8x18	GN 565-26-...	-	
GN 181-ZD-28-M10-SW	28	M10	30	10	56	26	6.5	13.5	M10x20	GN 426-28-... / GN 426.1-28-...	-	
GN 181-ZD-28-M10-SR	28	M10	30	10	56	26	6.5	13.5	M10x20	GN 426-28-... / GN 426.1-28-...	-	



STANDARD MACHINE ELEMENTS WORLDWIDE