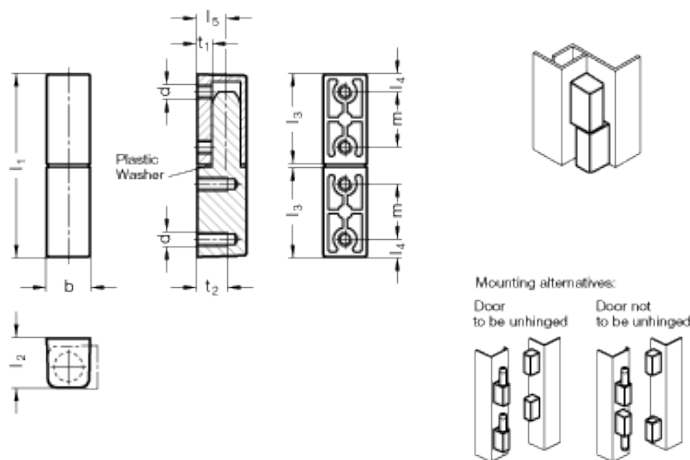


GN 161.1

Hinges



technical informations

Material

Zinc alloy die-cast, plastic coated.

- Version SW: RAL 9005 black, matte epoxy resin coating.
- Version SR: RAL 9006 silver, matte epoxy resin coating.

Features and applications

Hinges GN 161.1 are a variant with highly attractive design. The fixing screws are invisible.

During the load tests, the hinges were gradually loaded and relieved at room temperature with incrementally increasing force. For the specified values, an insignificant permanent deformation remained after relieving the load which had no effect on the function and appearance. In most cases, the failure loads are multiples of the specified value.

The details relating to the load bearing capacity are non-binding recommended values and rule out any liability. They constitute no general warranty of quality and condition.

The user must determine from case to case whether a product is suitable for the intended use. Environmental influences and aging may influence these values.

Standard Elements	Main dimensions											Load rating in N		Weight
Description	b	l ₁	d	l ₂	l ₃	l ₄	l ₅	m	t ₁	t ₂	Radial	Axial	g	
GN 161.1-15-63-SW	15	63	M5	17	31	6.1	10	19	5	10	2300	1500	80	



STANDARD MACHINE ELEMENTS WORLDWIDE