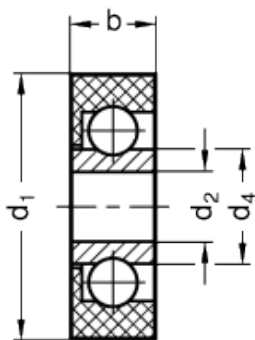


GN 753

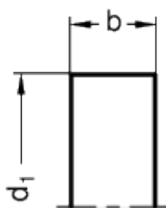
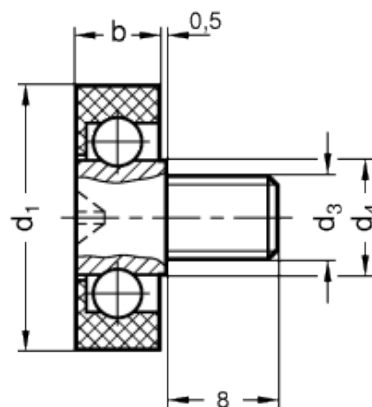
Guide rollers



Identification 1



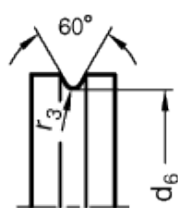
Identification 2



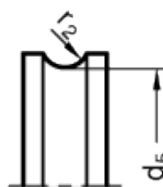
Type ZL



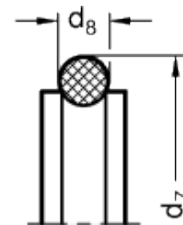
Type KV



Type KF



Type KK



Type KR



technical informations

Outer ring

Acetal resin based (POM) technopolymer. Resistant to solvents, oils, greases and other chemical agents. Working temperature 0 °C to 40 °C.

- Type ZL: cylindrical.
- Type KV: convex.
- Type KK: concave.
- Type KF: wedge-shaped.

- Type KR: circular (O-ring).

Inner ring / balls

Steel, blank.

Threaded stud

Zinc plated steel.

O-ring

Rubber, NBR (Perbunan), 70 Shore A

Assembly

- Identification no. 1: with bore.
- Identification no. 2: with threaded stud.

Special executions on request

Guide rollers with rivet spigot.

Features and Applications

Guide rollers GN 753 are suitable for moving or guiding smaller loads. They are also used in drive engineering. With the radial load bearing capacity given in the table, the guide rollers reach a minimum run time of 1 million revolutions. In general, the guide rollers should not be used under axial load.

Standard Elements

Main dimensions

Weig

Description	d ₁	d ₂	d ₃	d ₄	d ₅	d ₆	d ₇	d ₈	b	r ₁	r ₂	r ₃	Radial load bearing capacity in N at max. 300 rpm	g
GN 753-19-B5-ZL-1	19	B5	-	8.2	-	-	-	-	6	-	-	-	49	3
GN 753-19-B6-ZL-1	19	B6	-	8.2	-	-	-	-	6	-	-	-	49	6
GN 753-22-B6-ZL-1	22	B6	-	9.5	-	-	-	-	7	-	-	-	196	6
GN 753-22-B8-ZL-1	22	B8	-	11	-	-	-	-	7	-	-	-	196	5
GN 753-26-B6-ZL-1	26	B6	-	9.5	-	-	-	-	7	-	-	-	196	7
GN 753-26-B10-ZL-1	26	B10	-	13	-	-	-	-	8	-	-	-	196	8
GN 753-19-B5-KV-1	19	B5	-	8.2	-	-	-	-	6	5	-	-	49	3
GN 753-22-B6-KV-1	22	B6	-	9.5	-	-	-	-	7	5	-	-	196	5
GN 753-26-B6-KV-1	26	B6	-	9.5	-	-	-	-	7	5	-	-	196	7
GN 753-19-B5-KK-1	19	B5	-	8.2	17	-	-	-	6	-	1.75	-	39	3
GN 753-22-B6-KK-1	22	B6	-	9.5	19.2	-	-	-	7	-	2.5	-	156	5
GN 753-26-B6-KK-1	26	B6	-	9.5	23.2	-	-	-	7	-	2.5	-	156	7
GN 753-19-B5-KF-1	19	B5	-	8.2	-	17	-	-	6	-	-	0.6	39	3
GN 753-22-B6-KF-1	22	B6	-	9.5	-	19	-	-	7	-	-	0.6	156	5
GN 753-26-B6-KF-1	26	B6	-	9.5	-	19	-	-	7	-	-	0.6	156	7
GN 753-19-B5-KR-1	19	B5	-	8.2	17	-	24	3.5	6	-	1.75	-	39	3
GN 753-22-B6-KR-1	22	B6	-	9.5	19.2	-	29	5	6	-	2.5	-	196	8
GN 753-26-B6-KR-1	26	B6	-	9.5	23.2	-	33	5	6	-	2.5	-	196	10
GN 753-19-M6-ZL-2	19	-	M6	8.2	-	-	-	-	6	-	-	-	49	6
GN 753-22-M6-ZL-2	22	-	M6	9.5	-	-	-	-	7	-	-	-	196	9
GN 753-26-M6-ZL-2	26	-	M6	9.5	-	-	-	-	7	-	-	-	196	10
GN 753-19-M6-KV-2	19	-	M6	8.2	-	-	-	-	6	5	-	-	49	6
GN 753-22-M6-KV-2	22	-	M6	9.5	-	-	-	-	7	5	-	-	196	8
GN 753-26-M6-KV-2	26	-	M6	9.5	-	-	-	-	7	5	-	-	196	10
GN 753-19-M6-KK-2	19	-	M6	8.2	17	-	-	-	6	-	1.75	-	39	6
GN 753-22-M6-KK-2	22	-	M6	9.5	19.2	-	-	-	7	-	2.5	-	156	8
GN 753-26-M6-KK-2	26	-	M6	9.5	23.2	-	-	-	7	-	2.5	-	156	9
GN 753-19-M6-KF-2	19	-	M6	8.2	-	17	-	-	6	-	-	0.6	39	6
GN 753-22-M6-KF-2	22	-	M6	9.5	-	19	-	-	7	-	-	0.6	156	8
GN 753-26-M6-KF-2	26	-	M6	9.5	-	23	-	-	7	-	-	0.6	156	10
GN 753-19-M6-KR-2	19	-	M6	8.2	17	-	24	3.5	6	-	1.75	-	39	6
GN 753-22-M6-KR-2	22	-	M6	9.5	19.2	-	29	5	7	-	2.5	-	156	8
GN 753-26-M6-KR-2	26	-	M6	9.5	23.2	-	33	5	6	-	2.5	-	156	10



STANDARD MACHINE ELEMENTS WORLDWIDE