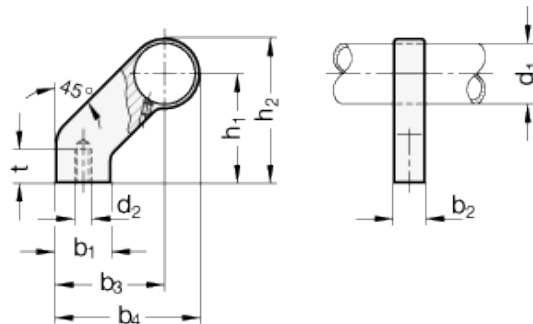


GN 333.8

Handle shanks
for tubular handles



technical informations

Handle shanks

Zinc alloy, die-cast.

- Version SW: RAL 9005, black colour, matte finish, epoxy resin coating.
- Version SR: RAL 9006, silver, matte textured finish, epoxy resin coating.

Assembly

Type A: back mounting by means of a M8 screw, tapped blind hole.

Features and applications

Handle shanks GN 333.8 can be used for longer tubes or higher loads of the tubular handles.

They can be used for tube tube \varnothing 28 of the tubular handles GN 333, GN 333.1, GN 333.2 and GN 333.3.

Standard Elements	Main dimensions							Mounting holes		Weight
Description	d ₁	b ₁	b ₂	b ₃	b ₄	h ₁	h ₂	d ₂	t _{min.}	g
GN 333.8-28-A-SW	28	25	14	50	66	50	66	M8	15	120
GN 333.8-28-A-SR	28	25	14	50	66	50	66	M8	15	120



ELESA and GANTER models all rights reserved in accordance with the law. Always mention the source when reproducing our drawings.

STANDARD MACHINE ELEMENTS WORLDWIDE