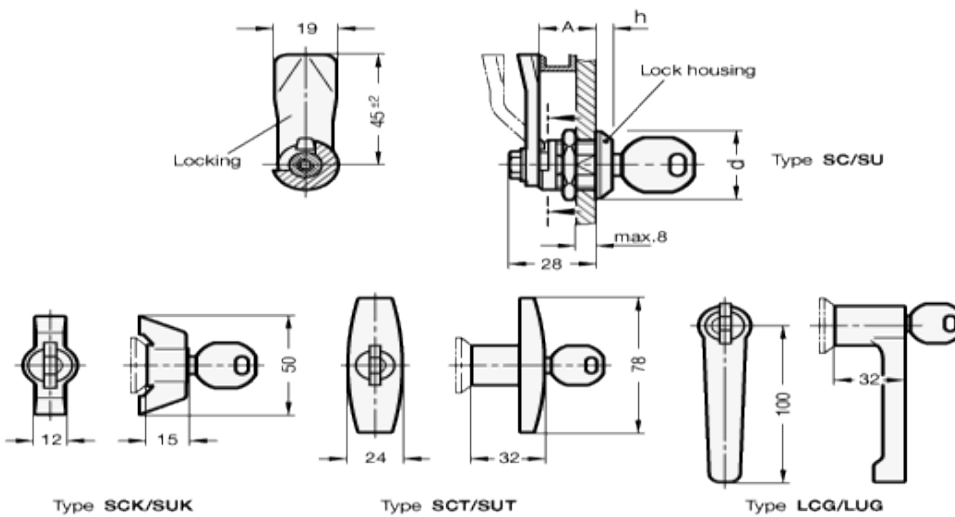


GN 115-SC

Latches with key



technical informations

Lock housing

Chromium-plated zinc-pressure die cast.

Metal elements

Zinc-plated steel, blue passivated.

Standard executions available

- Version SC: Operation with key (same lock).
- Version SU: Operation with key (different lock).
- Version SCK: Operation with wrench (same lock).
- Version SUK: Operation with wrench (different lock).
- Version SCT: Operation with mit T-Handle (same lock).
- Version SUT: Operation with T-handle (different lock).
- Version LCG: Operation with lever handle (same lock).
- Version LUG: Operation with lever handle (different lock).

Assembly instructions

The lockable latches GN 115 lock by a turning operation limited to 90° which moves the locking behind the door frame. The bevels of the locking ease the closing of the door.

Latches with 22 different cranks cover a range A from 4 to 50 mm.

Two keys are supplied. The key may be pulled off in both end positions.

Latches GN 115 are supplied with loosely enclosed locking.

Features and applications

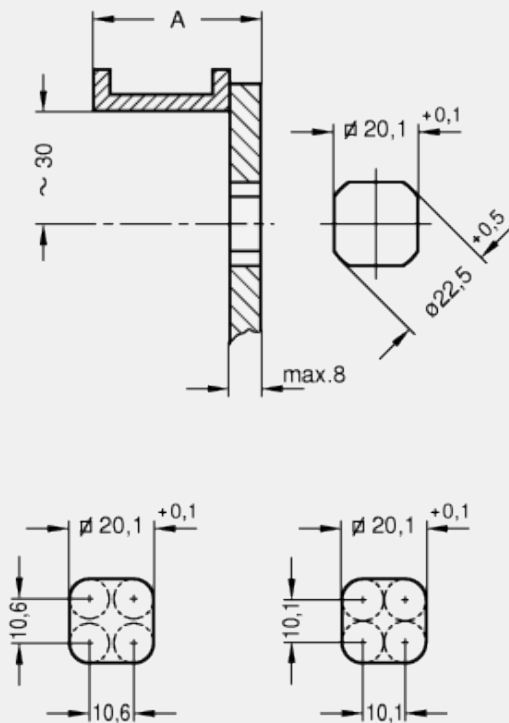
Latches GN 115 are reasonably priced. They offer a straightforward locking action rather than a locking and clamping action.

The choice of 22 differently shaped catch plates gives a range A (see table below) from 4 to 50 mm. In standard form all locks can work with identical key.

Construction and assembly instruction

For installation, set a bore diameter in the door as shown in the drawing opposite.

Once assembled, the latch is pushed through the bore diameter from the front. The hexagon nut can then be pushed over the latch from the back and bolted in place. The installation bore diameter in the door leaf is usually generated by punching or laser machining in series production. For small series and steel sheets below 2 mm thickness, the sheet metal punches GN 123 are the tool of choice. The installation bore diameter can also be set by drilling / milling as shown in the drawings.



Standard Elements	Main dimension			Weight
	A	d	h	
Description				g
GN 115-*-4	4	32	6	40
GN 115-*-6	6	32	6	30
GN 115-*-8	8	32	6	28
GN 115-*-10	10	32	6	27
GN 115-*-13	13	32	6	27
GN 115-*-14	14	32	6	28
GN 115-*-16	16	32	6	27
GN 115-*-18	18	32	6	27
GN 115-*-20	20	32	6	27

GN 115-*-22	22	32	6	26
GN 115-*-24	24	32	6	27
GN 115-*-26	26	32	6	28
GN 115-*-28	28	32	6	29
GN 115-*-30	30	32	6	30
GN 115-*-32	32	32	6	29
GN 115-*-34	34	32	6	32
GN 115-*-36	36	32	6	30
GN 115-*-38	38	32	6	35
GN 115-*-40	40	32	6	38
GN 115-*-42	42	32	6	37
GN 115-*-45	45	32	6	39
GN 115-*-50	50	32	6	42

*Complete the description of the standard item needed by adding: SCK (with wrench, same lock), SUK (with wrench, different lock), SCT (with T-Handle, same lock), SUT (with T-Handle, different lock), LCG (Operation with lever handle same lock) or LUG (Operation with lever handle different lock).

Standard elements	Main dimensions			Weight
Description	A	d	h	g
GN 115-*-4	4	28	4	40
GN 115-*-6	6	28	4	30
GN 115-*-8	8	28	4	28
GN 115-*-10	10	28	4	27
GN 115-*-13	13	28	4	27
GN 115-*-14	14	28	4	28
GN 115-*-16	16	28	4	27
GN 115-*-18	18	28	4	27
GN 115-*-20	20	28	4	27
GN 115-*-22	22	28	4	26
GN 115-*-24	24	28	4	27
GN 115-*-26	26	28	4	28
GN 115-*-28	28	28	4	29
GN 115-*-30	30	28	4	30
GN 115-*-32	32	28	4	29
GN 115-*-34	34	28	4	32
GN 115-*-36	36	28	4	30
GN 115-*-38	38	28	4	35
GN 115-*-40	40	28	4	38
GN 115-*-42	42	28	4	37
GN 115-*-45	45	28	4	39
GN 115-*-50	50	28	4	42

*Complete the description of the standard item needed by adding SC (with key, same lock) or SU (with key, different lock).

